



AQ Matic Valve & Controls Company, Inc.

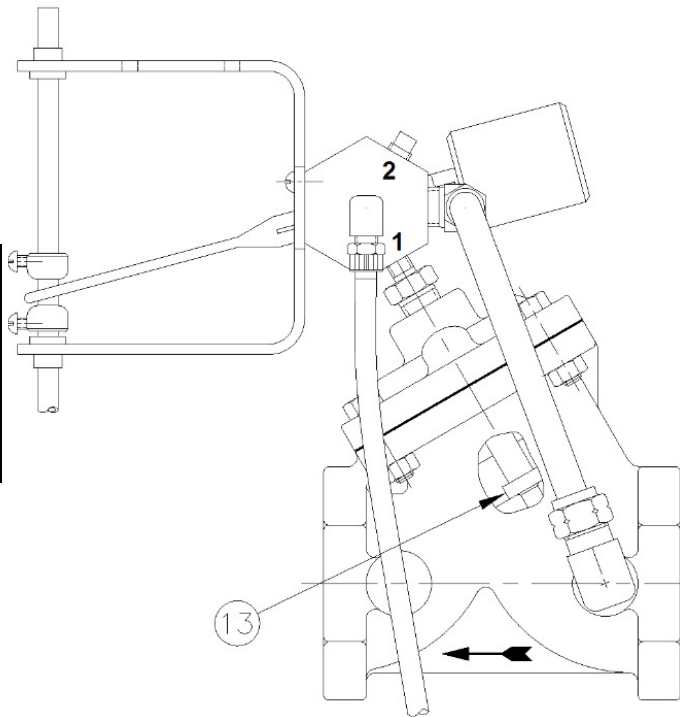
February 22, 2018

PERFORMANCE BULLETIN 110

V42 Series Float Valve Spacer Material Change To Stainless Steel

The Shaft Spacers used in AquaMatic float operated valves, Item #13 in drawing below, will be changing material from Brass to 303 Stainless Steel. The dimensional characteristics of these parts will remain the same and they can be used interchangeably. The Part Numbers for these items will not be changed during this transition. A list of affected parts is shown below:

Item PN	Model	Description
1074127	421-HB	SPACER,SHAFT,421
1074230	424-HB	SPACER,SHAFT,424
1074305	425-HB	SPACER,SHAFT,425
1074385	426-HB	SPACER,SHAFT,426
1074484	427-HB	SPACER,SHAFT,427



If any questions should arise, please contact us at TechSupport@AQ-Matic.com or +1-262-326-0100.

Thank you for your business,

Jeremy Josetti
General Manager